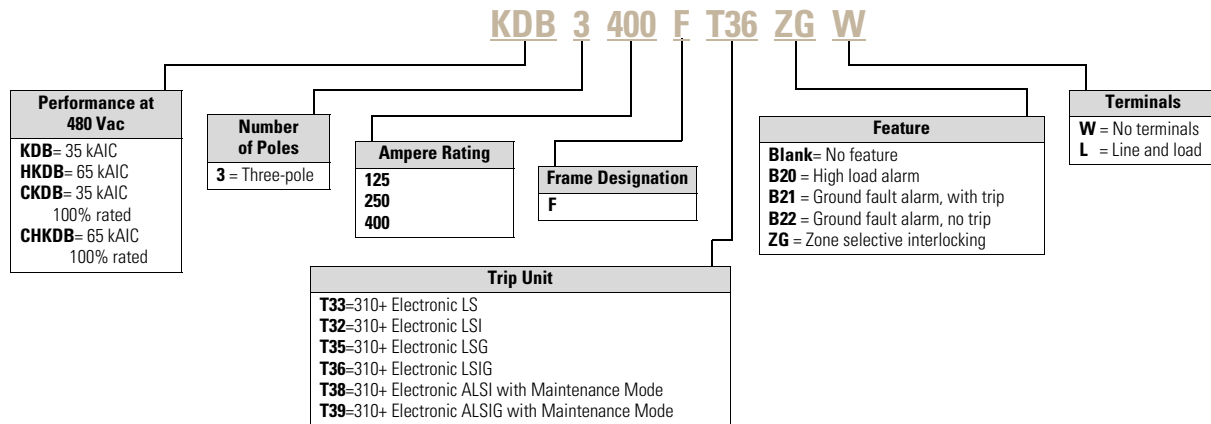
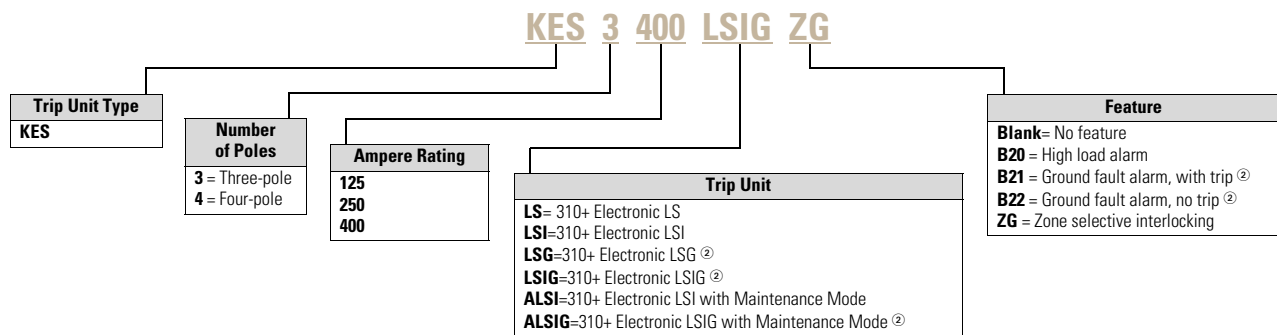


K-Frame with 310+ Electronic Trip Unit Technology ①

310+ Circuit Breakers ②

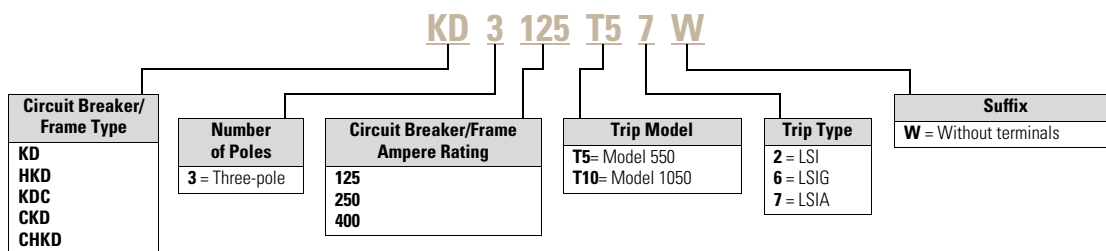


310+ Electronic Trip Units ③



K-Frame with OPTIM Trip Unit Technology

OPTIM Circuit Breakers



Notes

- ① Cannot combine 'B2X' suffixes with 'B2X' suffixes.
- ② Not available in four-pole configurations.
- ③ Frames are the same for thermal-magnetic or 310+ electronic trip units, e.g., **KD3400F**, **HKD3400F**, etc.

Types KD, HKD and KDC Thermal-Magnetic Circuit Breakers—Frame Only

| Standard Interrupting Capacity 600 Vac Rated 35 kAIC at 480 Vac | High Interrupting Capacity 600 Vac Rated 65 kAIC at 480 Vac | Ultra High Interrupting Capacity Current Limiting 600 Vac Rated 100 kAIC at 480 Vac |
|---|---|--|
| Catalog Number | Catalog Number | Catalog Number |
| Two-Pole | | |
| KD2400F | HKD2400F | KDC2400F |
| Three-Pole | | |
| KD3400F | HKD3400F | KDC3400F |
| Four-Pole | | |
| KD4400F | HKD4400F | KDC4400F |

Types KD, HKD and KDC Electronic Circuit Breakers with Interchangeable 310+ Trip Units

Order as individual components: breaker frame, trip unit and terminals. See 310+ adjustability specifications on [Page V4-T2-320](#).

Types KD, HKD and KDC Electronic Circuit Breakers with Interchangeable 310+ Trip Units—Three-Pole

| Max. Cont. Ampere Rating at 40 °C | Circuit Breaker Frame Only | | | Digitrip RMS 310+ Trip Unit Only ^① | | | | Neutral CT for LSG and LSIG ^{②③} | Terminal Information |
|---|---|---|---|---|----------------|------------|-------------|--|------------------------------------|
| | Standard Interrupting Capacity 600 Vac Rated 35 kAIC at 480 Vac Catalog Number | High Interrupting Capacity 600 Vac Rated 65 kAIC at 480 Vac | Ultra High Interrupting Capacity Current Limiting 600 Vac Rated 100 kAIC at 480 Vac | Standard LS | Options LSI | LSG | LSIG | | |
| 125 | KD3400F | HKD3400F | KDC3400F | KES3125LS | KES3125LSI | KES3125LSG | KES3125LSIG | LGFC125 | See Page V4-T2-317 |
| 250 | KD3400F | HKD3400F | KDC3400F | KES3250LS | KES3250LSI | KES3250LSG | KES3250LSIG | LGFC250 | |
| 400 | KD3400F | HKD3400F | KDC3400F | KES3400LS | KES3400LSI | KES3400LSG | KES3400LSIG | LGFC400 | |

Types KD, HKD and KDC Electronic Circuit Breakers with Interchangeable 310+ Trip Units—Four-Pole ^{④⑤}

| Max. Cont. Ampere Rating at 40 °C | Circuit Breaker Frame Only | | | Digitrip RMS 310+ Trip Unit Only ^① | | | | Neutral CT for LSG and LSIG ^{②③} | Terminal Information |
|---|---|---|---|---|----------------|-----|------|--|------------------------------------|
| | Standard Interrupting Capacity 600 Vac Rated 35 kAIC at 480 Vac Catalog Number | High Interrupting Capacity 600 Vac Rated 65 kAIC at 480 Vac | Ultra High Interrupting Capacity Current Limiting 600 Vac Rated 100 kAIC at 480 Vac | Standard LS | Options LSI | LSG | LSIG | | |
| 125 | KD4400F | HKD4400F | KDC4400F | KES4125LS | KES4125LSI | — | — | — | See Page V4-T2-317 |
| 250 | KD4400F | HKD4400F | KDC4400F | KES4250LS | KES4250LSI | — | — | — | |
| 400 | KD4400F | HKD4400F | KDC4400F | KES4400LS | KES4400LSI | — | — | — | |

Notes

- ① For AC use only.
- ② Required for four-wire systems if neutral protection is desired.
- ③ Included with LSG and LSIG trip units.
- ④ Trip unit includes protected neutral pole. Use corresponding three-pole trip unit if protected neutral pole is not required.
- ⑤ Fully rated neutral pole protection is standard. For 50% rated protection on neutral pole, add Suffix E to four-pole trip unit catalog number.